



HANDLING AND STORAGE

SERVING THE FOOD INDUSTRY SINCE 1951

UTILITY CARTS



44679

44680

Omcans Utility Carts are sturdily constructed to endure tough everyday handling. Finished for easy cleaning. Great for supermarkets and various food service operations. Shipped knock-down.



WARRANTY



SHIPPED ON PALLET



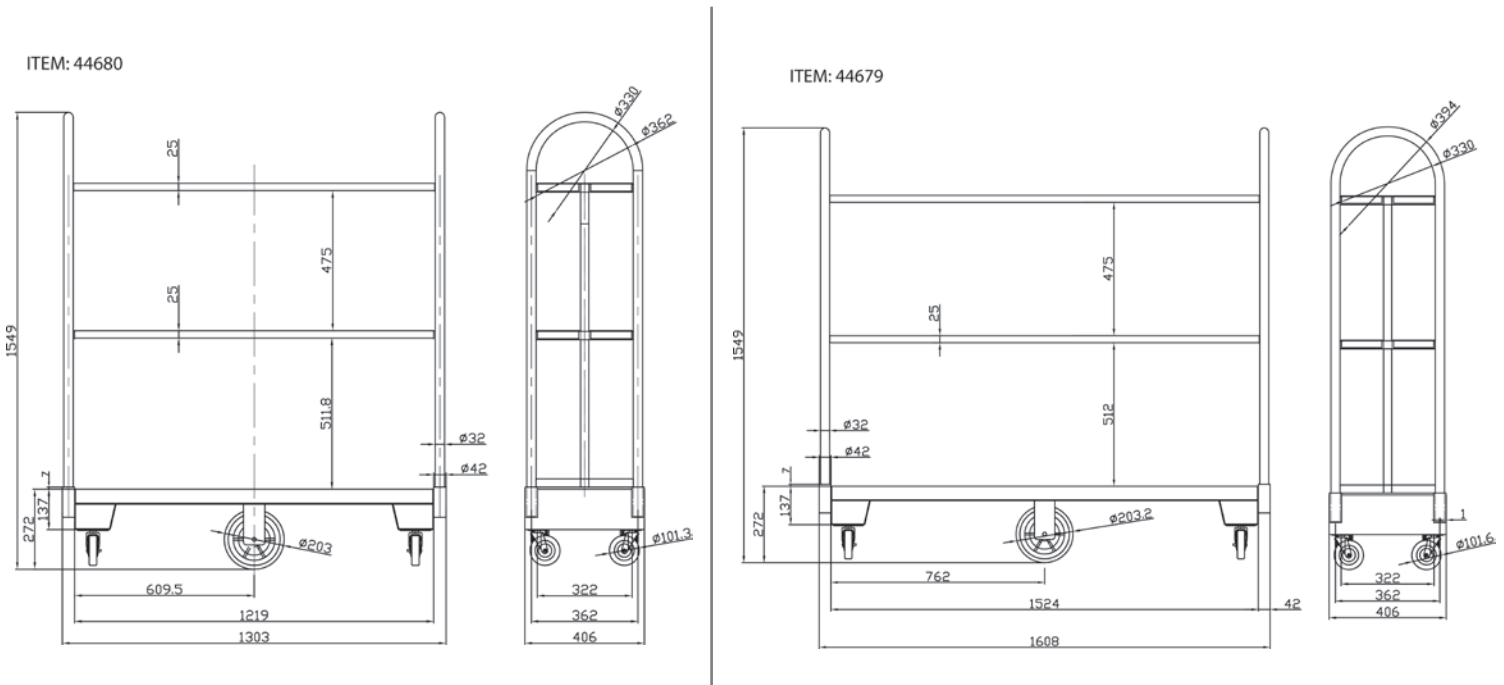
Authorized Dealer

HANDLING AND STORAGE

UTILITY CARTS 44680 / 44679



TECHNICAL DRAWING AND DIMENSIONS



TECHNICAL SPECIFICATIONS

| ITEM | 44680 | 44679 |
|------------------|---------------------------------------|---------------------------------------|
| DESCRIPTION | Utility Cart Steel 16" x 48" | Utility Cart Steel 16" x 60" |
| LOAD CAPACITY | 1500lb | 2500lb |
| WEIGHT | 60kg | 68kg |
| GROSS WEIGHT | 64kg | 72kg |
| DIMENSIONS (DWH) | 51" x 16" x 61" 1295 x 406 x 1549mm | 63" x 16" x 61" 1600 x 16 x 1549mm |
| GROSS DIMENSIONS | 54" x 17" x 9" 1375 x 435 x 240mm | 63.6" x 18" x 9" 1615 x 465 x 240mm |

OPTIONAL SHELVES

| ITEM | 44682 | 44681 |
|------------------|--|--|
| DESCRIPTION | Shelf for Item 44680 | Shelf for Item 44679 |
| LOAD CAPACITY | 250lb | 450lb |
| WEIGHT | 9.45kg 20.8 lbs. | 15.6kg 34.4 lbs. |
| GROSS WEIGHT | 11.45kg 24.2 lbs. | 18.5kg 40.7 lbs. |
| DIMENSIONS | 50.5" x 15" x 1" 1282.7 x 381 x 25.4mm | 62.5" x 15" x 1" 1587.5 x 381 x 25.4mm |
| GROSS DIMENSIONS | 50.7" x 15" x 1.2" 1290 x 390 x 30mm | 62.5" x 15" x 1.2" 1590 x 390 x 30mm |



OMCAN INC.

Telephone: 1-800-465-0234

Fax: (905) 607-0234

Email: sales@omcan.com

Website: www.omcan.com



Follow us to keep up to date with the latest news and offers



2015.E.O.E